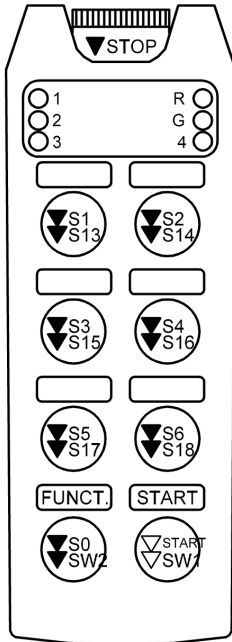


SPECIFICA DI CONFIGURAZIONE

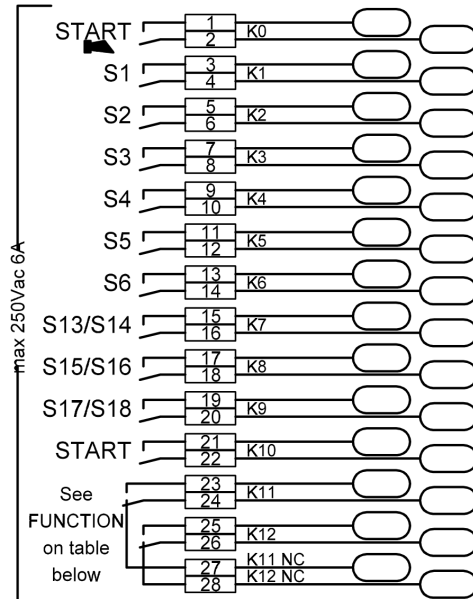


CABLAGGIO URX

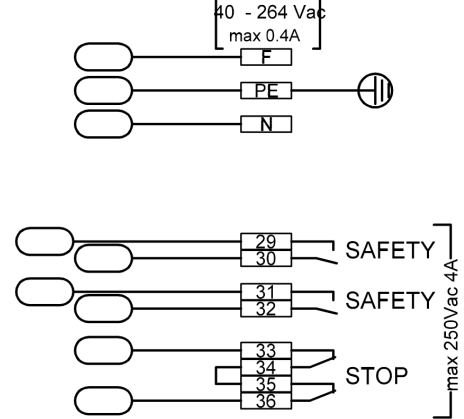
Air A8



AirLB12AC



POWER SUPPLY



FACTORY SETTINGS

FUNCTION	<input type="checkbox"/> P1	<input type="checkbox"/> P2A <input type="checkbox"/> P2B	<input type="checkbox"/> P3	<input checked="" type="checkbox"/> P4
	K11=ENA K12=S0 momentary	K11=ENA K12=S0 latched	K11 / K12 S0 sel. 1/2	K11 / K12 S0 sel. 1+2/1/2
PAIR	<input type="checkbox"/> 1.0	<input checked="" type="checkbox"/> 2.0	<input type="checkbox"/> 2.1	
PIN Start UP	<input checked="" type="checkbox"/> ENABLE <input type="checkbox"/> DISABLE			
PIN CODE	1 START	2 S0	3 START	
Switch-OFF	<input type="checkbox"/> OFF	<input type="checkbox"/> 2'	<input checked="" type="checkbox"/> 5'	<input type="checkbox"/> 10'
RF Power	<input type="checkbox"/> Low	<input checked="" type="checkbox"/> Norm.	<input type="checkbox"/> High	<input type="checkbox"/> Max
Range limiting	<input checked="" type="checkbox"/> OFF	<input type="checkbox"/> Area1	<input type="checkbox"/> Area2	<input type="checkbox"/> Area3
Low pwr start-up	<input checked="" type="checkbox"/> OFF	<input type="checkbox"/> Sect.1	<input type="checkbox"/> Sect.2	<input type="checkbox"/> Sect.3
Clear Ch. Level	<input checked="" type="checkbox"/> Norm.	<input type="checkbox"/> High	<input type="checkbox"/> None	
Receiver antenna	<input type="checkbox"/> ENABLE <input checked="" type="checkbox"/> DISABLE			
Dip switch	Transmitting Unit		Receiving Unit	
	1	2	1	2
<input type="checkbox"/> ON	915-928Mhz	Reserved	915-928Mhz	MSC
<input checked="" type="checkbox"/> OFF	433-434Mhz	Reserved	433-434Mhz	Disable
Radio mode	<input checked="" type="checkbox"/> AUTO <input type="checkbox"/> MANUAL			
Bank Group	<input checked="" type="checkbox"/> 0	<input type="checkbox"/> 1	<input type="checkbox"/> 2	<input type="checkbox"/> 3
Channel Bank	<input checked="" type="checkbox"/> 0	<input type="checkbox"/> 1	<input type="checkbox"/> 2	<input type="checkbox"/> 3
Logic Channel	<input checked="" type="checkbox"/> 0	<input type="checkbox"/> 1	<input type="checkbox"/> 2	<input type="checkbox"/> 3
Button delay	<input checked="" type="checkbox"/> OFF <input type="checkbox"/> 0.5S <input type="checkbox"/> 1S <input type="checkbox"/> 1.5S			
All latched relay	<input type="checkbox"/> ENABLE <input checked="" type="checkbox"/> DISABLE			
Data Log Manag.	<input type="checkbox"/> ON <input checked="" type="checkbox"/> OFF			
Service Control	<input checked="" type="checkbox"/> ON <input type="checkbox"/> OFF			
CANopen	<input type="checkbox"/> ON <input checked="" type="checkbox"/> OFF			
Output configurations	<input checked="" type="checkbox"/> ENABLE <input type="checkbox"/> DISABLE			
	Programming file: LD00002-**.par			